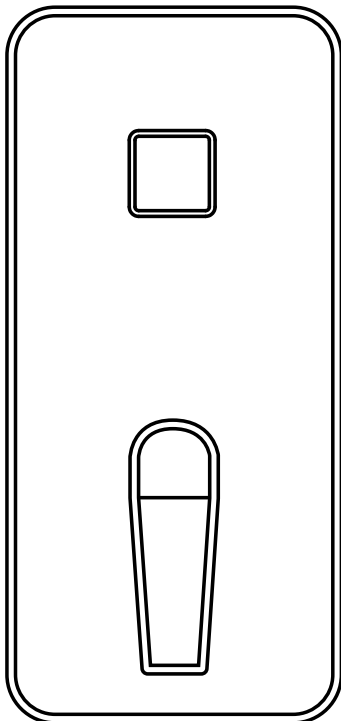
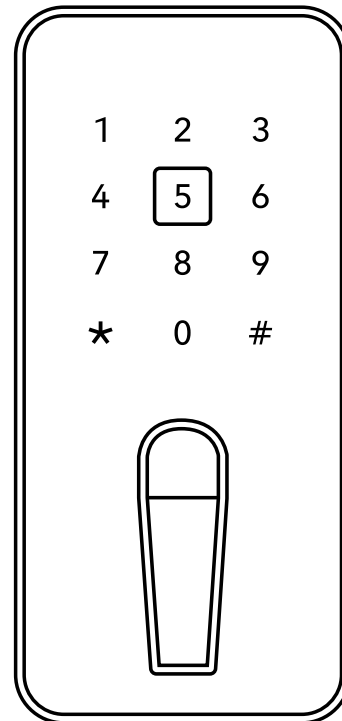


# Saffire LX-I and EVO LZ-I Interconnect

## Installation Instructions



Saffire LX-I

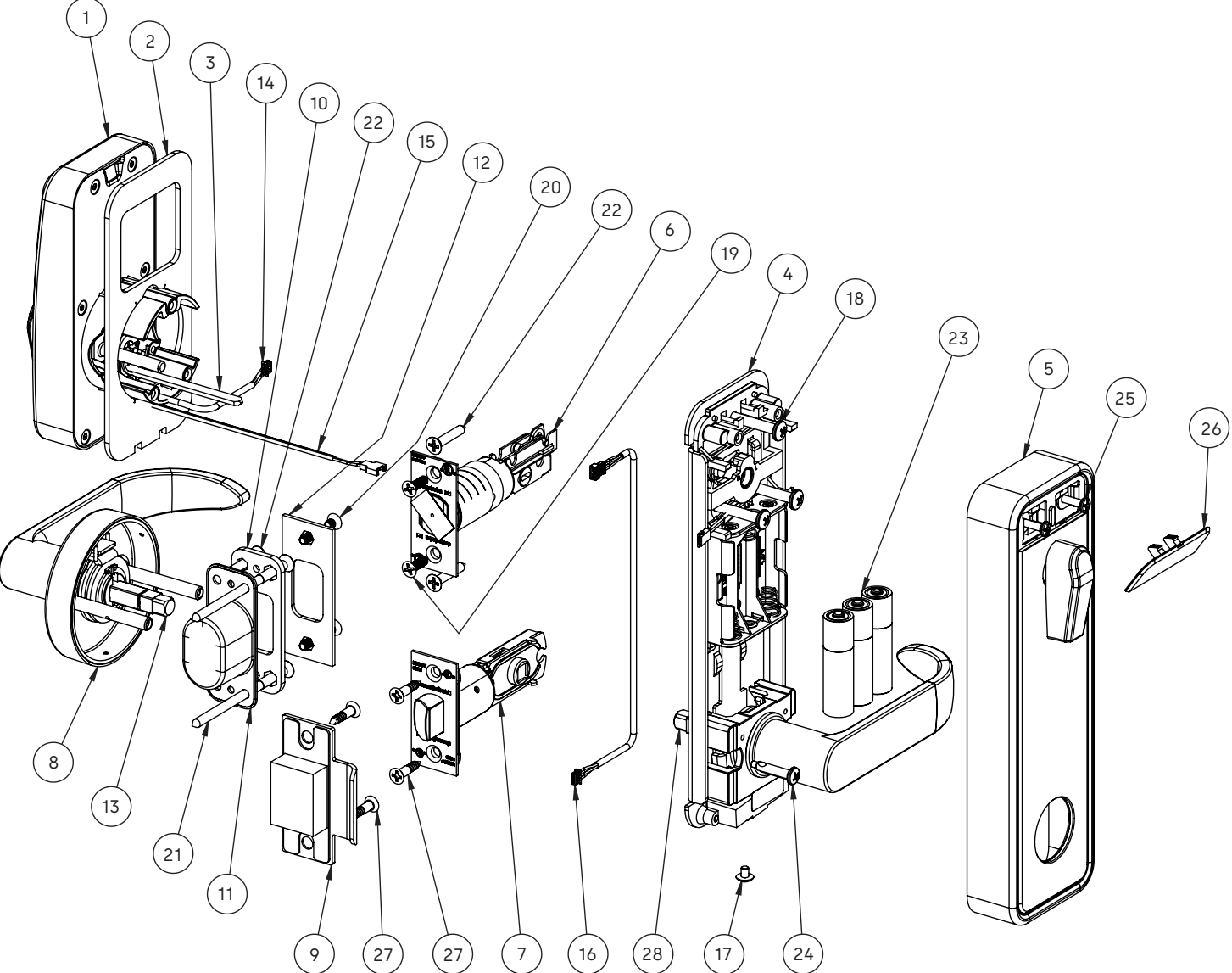


Saffire EVO LZ-I

ITEM NO	QTY	DESCRIPTION
1	1	Front lock housing assembly
2	1	Gasket front lock housing
3	1	Tail piece
4	1	Back plate - Inside trim assembly
5	1	Inside trim cover assembly
6	1	Deadbolt
7	1	Latch
8	1	Lever and rose assembly
9	1	Latch striker plate & dust box kit
10	2	Reinforcing plate
11	2	Dust box deadbolt
12	1	Striker plate deadbolt
13	1	Spindle assembly (lever & rose assembly)
14	1	Communication harness (optional)

15	1	Power harness
16	1	Extension harness (optional)
17	1	Phillips #2 or t10, pan head screw 6-32 x 3/16"
18	3	Phillips #2, pan head screw 10-24 x 1-1/4"
19	4	Phillips #2, flat head screw 8-32 x 1/2"
20	2	Phillips #2, flat head screw 8-32 x 7/32"
21	2	Phillips #2, wood screw #8 x 3"
22	2	Phillips #2, wood screw #8 x 1"
23	3	Aa battery
24	2	Phillips #2, pan head screw x-tip 8-32 x 3/4"
25	2	Phillips #2, pan head screw 6-32 x 1/2"
26	1	Removable cover
27	4	Phillips #2, combo screw #8 x 1"
28	1	Spindle & retaining ring assembly

Lock diagram



# Saffire LX-I & Saffire EVO LZ-I Interconnect Lock

## Installation Instructions

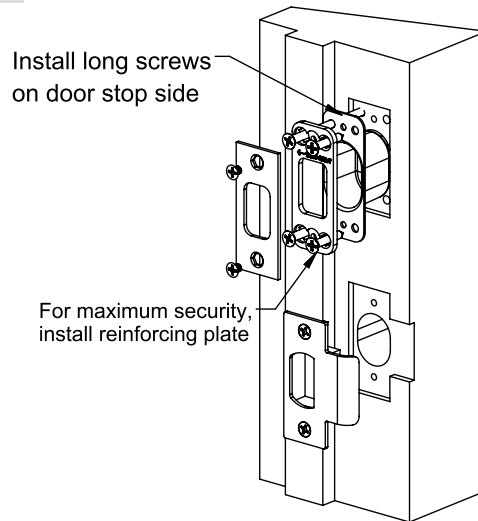
### WARNING

1. Please read and follow all directions carefully.
2. **This lock is not designed to be used on emergency exit doors.**
3. Carefully inspect glass, door frame, door, etc. to ensure the recommended procedure will not cause damage. dormakaba standard warranty does not cover damages cause by installation.
4. Wear safety glasses when making the holes.
5. All the following operations and testing of the lock to be done with door open.

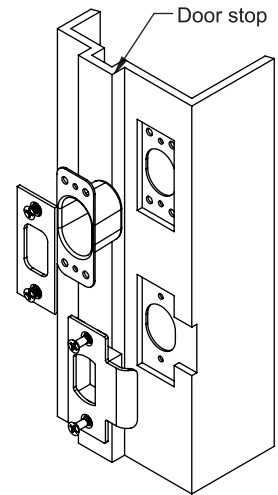
### Tools Required

- Safety glasses
- 1/2" (13mm) Chisel
- 1/8" (3mm) Drill Bit
- 5/32" (4mm) Drill Bit
- 1" (25mm) Drill Bit or Hole Saw
- 2 1/8" (54mm) Drill Bit or Hole Saw
- Drill
- Awl or Center Punch
- Screwdriver, 1/8" Slotted
- Philips Screwdriver #2
- Adjustable Square
- Tape Measure

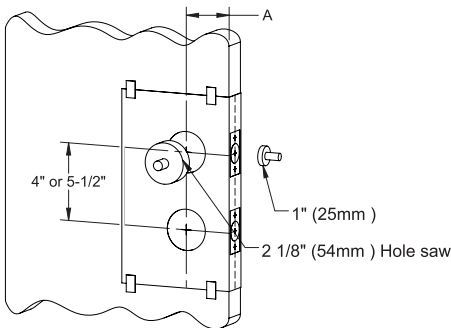
### 1A Install strike on wood frame



### 1B Install strike on steel frame



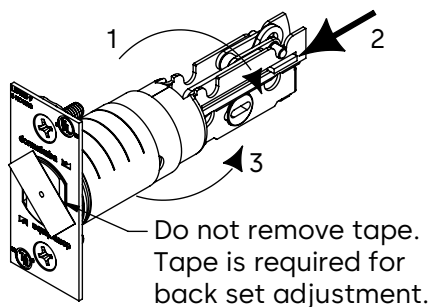
### 1C Door Preparation



A = Backset = 2 3/4" (70mm) or 2 3/8" (60mm)

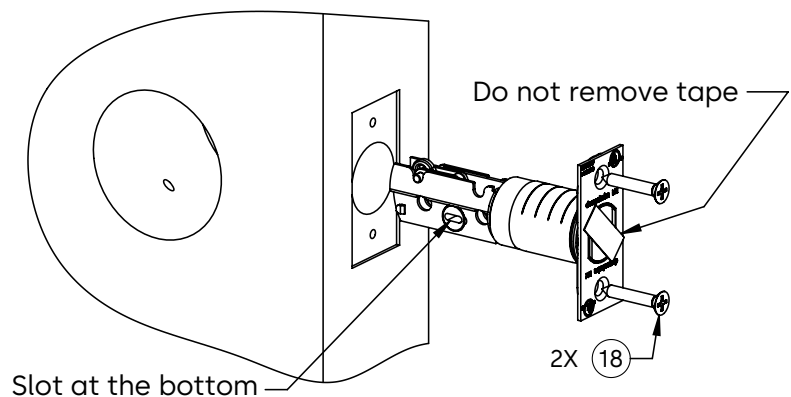
1. Determine which template fits your Saffire LX-I or LZ-I lock installation, either 2 3/8" (60mm) or 2 3/4" (70mm) backset, 4" or 5 1/2" center to center.
2. Place appropriate template (supplied) onto door and mark holes.
3. Drill holes as per dimensions on the template. The 1" (25 mm) hole to be on the center line of door thickness.
4. Mortise door edge for deadbolt face plate and latch bolt face plate.
5. Drill 2 1/8" from both sides of the door to prevent unsightly damage.

### 2 Adjust backset of deadbolt



The deadbolt is pre-set at 2 3/4" (70mm) backset. Proceed as illustrated to change to 2 3/8" (60mm) backset, if required.

### 3 Install deadbolt in door



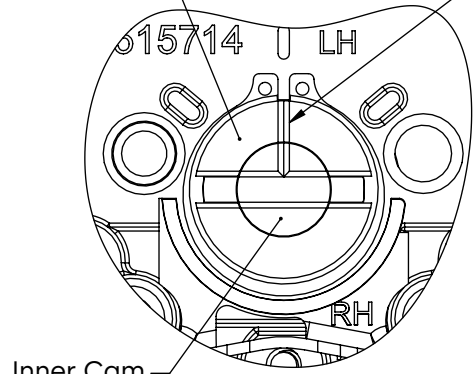
#### 4 Adjust lock handing on outside housing assembly

Left Hand (LH)

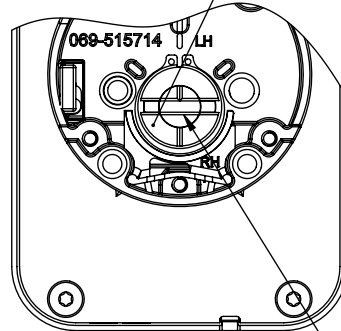
Right Hand (RH)

Outer Cam

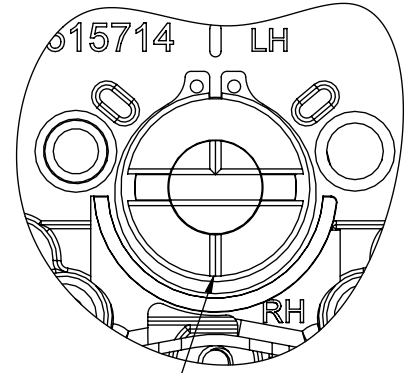
Groove at 12 O'Clock



2 - Rotate to change from LH to RH



1 - Hold from rotating

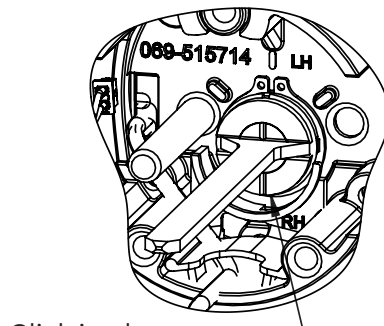
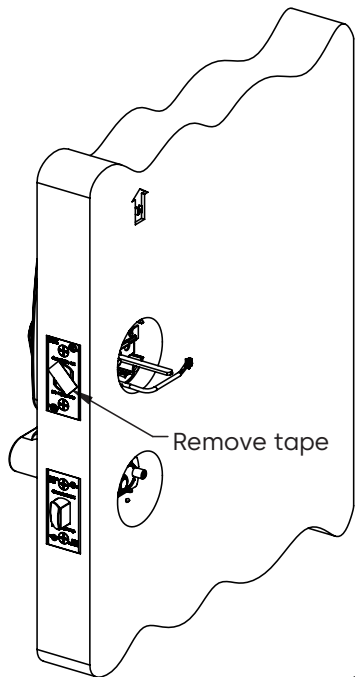


Groove at 6 O'Clock

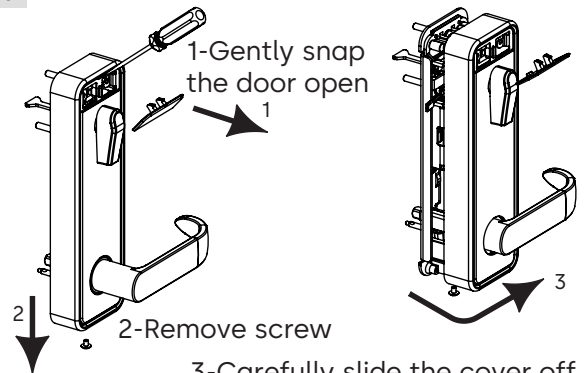
#### 7 Assemble outside housing

#### 5 Assemble tail piece

#### 6 Remove inside cover

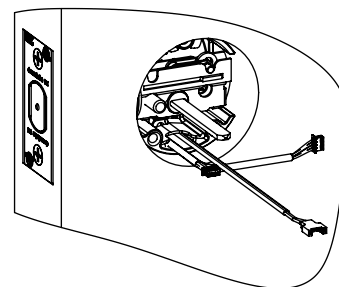
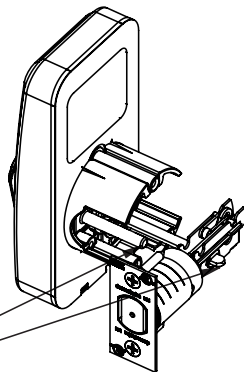


Click in place  
"Wire Ring" opening far from slot

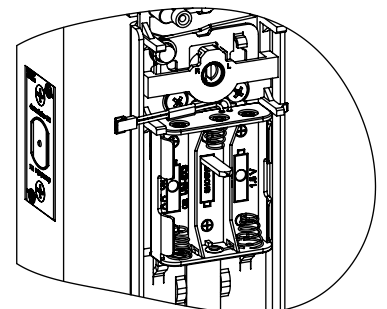


**WARNING**

Align stud and tail piece  
gently into deadbolt



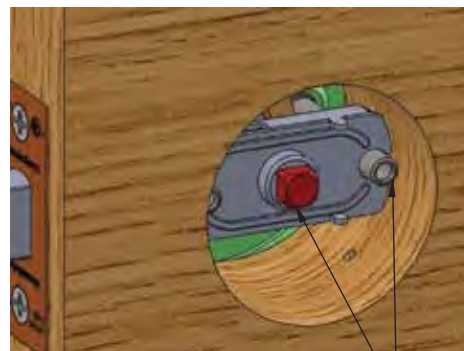
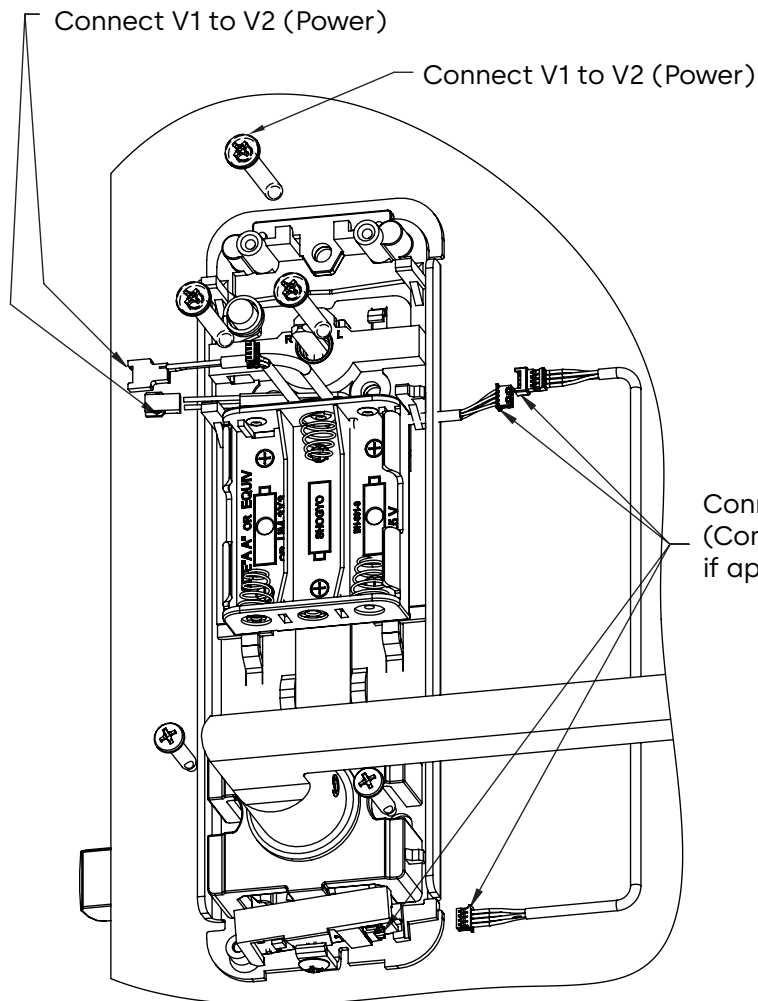
Run cable through door  
and under deadbolt



Run cables through inside  
trim backplate slot

## 8 Install inside trim assembly

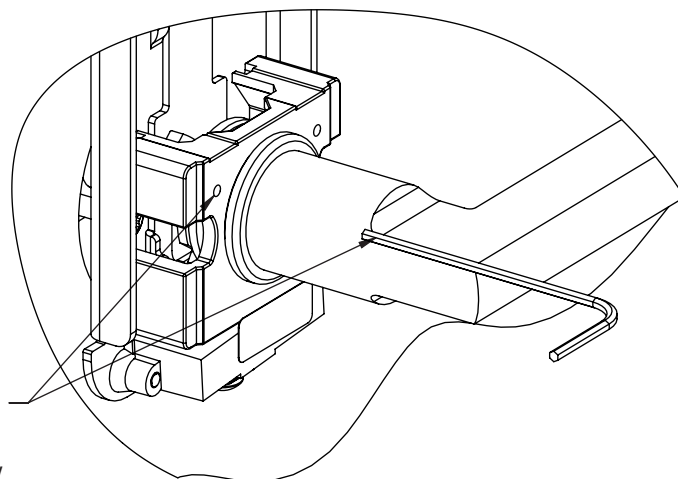
1. Install 3 top screws first to front lock assembly then install in place lever & rose assembly.
2. Install 2x bottom screw to lever & rose assembly.
3. Outside & inside lock assembly must be align vertical.
4. Before tightening the screws verify functionality by extracting and retracting the deadbolt. The deadbolt should move smoothly.
5. All screws shall be tighten properly.
6. Tighten all screws.
7. Connect wiring V1 & V2 and W1 & W2.
8. Installed 3x AA batteries.



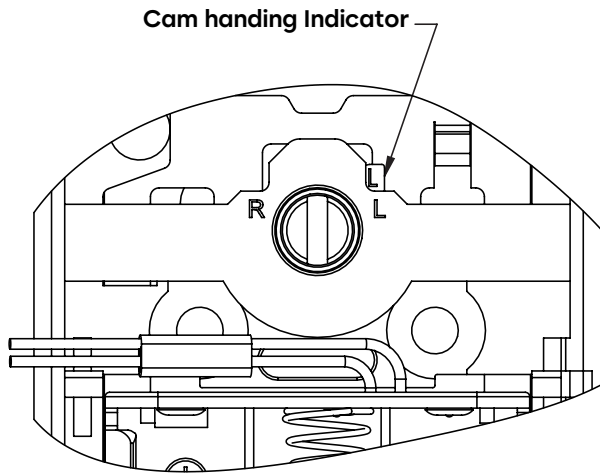
While inserting the lever & rose assembly in place, make sure to align spindle and screw post with their respective hole and push gently in



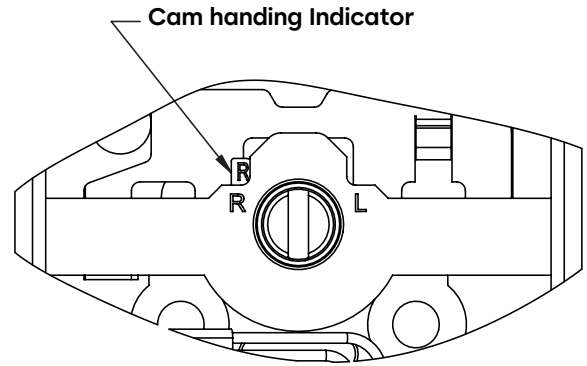
Rotate lever CW or CCW, insert a 5/64 or 2mm tool into access hole to hold the handle down and clear passage for screw



## 9 Install inside trim assembly



For a left hand side lock, it shall be possible to align cam slot vertically as shown. If not, inside trim chassis and slider assembly do not have the proper handing and must be reverse.



For a right hand side lock, it shall be possible to align cam slot vertically as shown. If not, inside trim chassis and slider assembly do not have the proper handing and must be reverse.

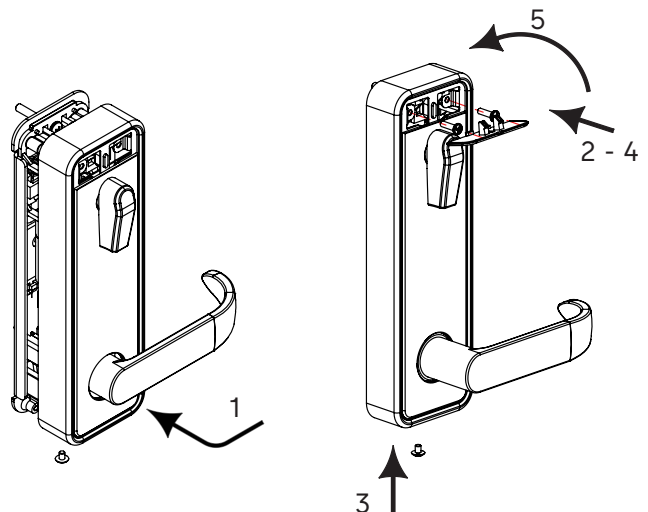


Rotate the cam so that the inner slot is horizontal then place the inside trim into position

After connecting the cables, route the cables around the clips

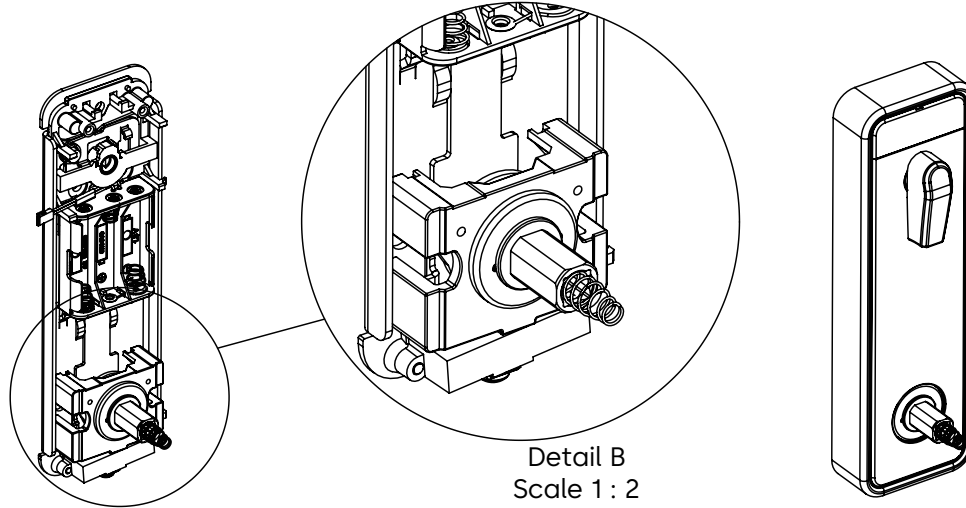
## 10 Install inside trim cover

1. Slide the cover over the lever without scratching the lever.
2. Lightly screw in the two upper screws.
3. Install the lower screw.
4. Tighten the upper screws in place.
5. Snap in the plastic cover.

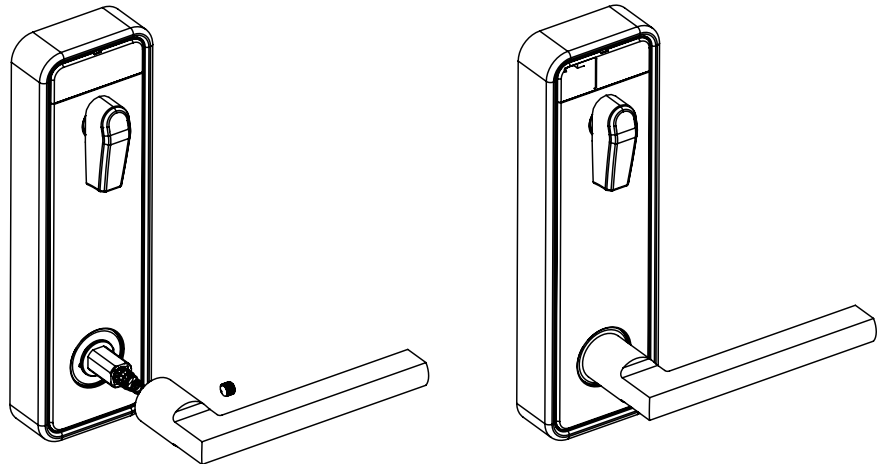


## 11 ESSEN lever with removable shank installation

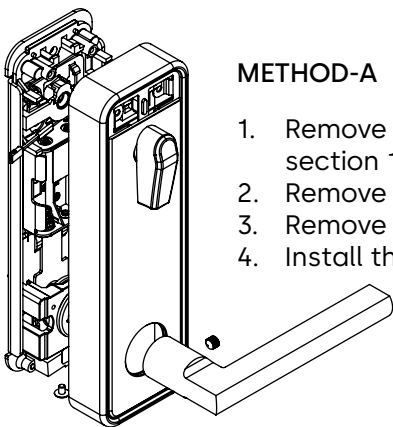
1. Cover plate and inside trim assembly shall be installed as shown with 3x screws, item 25.



1. Slide the lever without scratching.
2. Lightly screw in the set screw.
3. Tighten the screw in place.



## 12 Battery installation



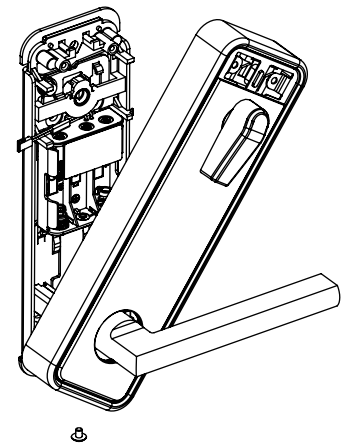
### METHOD-A

1. Remove the screws shown in section 11.
2. Remove the set screw and lever.
3. Remove the cover
4. Install the batteries.

### METHOD-B

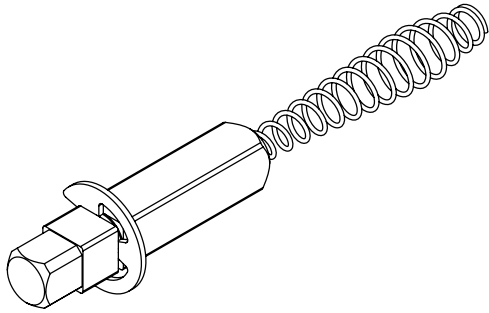
1. Remove the screws shown in section 11.
2. Slide the cover over the lever without scratching.
3. Install the batteries.

**WARNING**

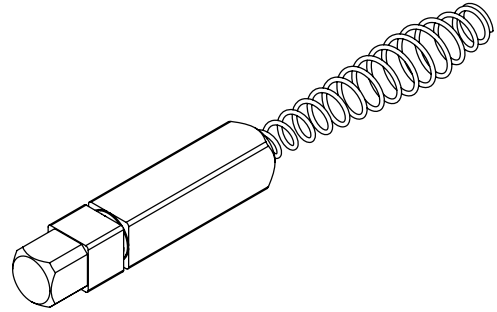


### 13 Spindle retaining clip Install

If spindle is disconnected from lever, re-insert spring in lever as follow:  
Push the spring lightly inside lever hole and gently twist the spindle and spring assembly 2 or 3 turns counter clockwise then press the spindle all the way in.



Spindle & retaining assembly for inside trim



Spindle assembly for Lever & Rose

#### ISED non-interference disclaimer

This device complies with Industry Canada license-exempt RSS standard(s). Operation is subject to the following two conditions: (1) this device may not cause interference, and (2) this device must accept any interference, including interference that may cause undesired operation of the device.

This equipment complies with ISED RSS-102 radiation exposure limits set forth for an uncontrolled environment. This transmitter must be installed to provide a separation distance of at least 20 cm from all persons and must not be co-located or operating in conjunction with any other antenna or transmitter.

#### FCC Compliance Statement

This equipment has been tested and found to comply with the limits for a Class B digital device, pursuant to part 15 of the FCC Rules. These limits are designed to provide reasonable protection against harmful interference in a residential installation. This equipment generates, uses, and can radiate radio frequency energy and, if not installed and used in accordance with the instructions, may cause harmful interference to radio communications. However, there is no guarantee that interference will not occur in a particular installation. If this equipment does cause harmful interference to radio or television reception, which can be determined by turning the equipment off and on, the user is encouraged to try to correct the interference by one or more of the following measures:

- Reorient or relocate the receiving antenna.
- Increase the separation between the equipment and receiver.
- Connect the equipment into an outlet on a circuit different from that to which the receiver is connected.
- Consult the dealer or an experienced radio/TV technician for help.

Changes or modifications not expressly approved by the party responsible for compliance could void the user's authority to operate the equipment.

This device complies with part 15 of the FCC Rules. Operation is subject to the following two conditions: (1) This device may not cause harmful interference, and (2) this device must accept any interference received, including interference that may cause undesired operation.

#### RF Exposure Statement

This equipment complies with FCC radiation exposure limits set forth for an uncontrolled environment. This transmitter must not be co-located or operating in conjunction with any other antenna or transmitter. To avoid the possibility of exceeding the FCC radio frequency exposure limits, this equipment should be installed and operated with minimum distance 20 cm between the antenna and your body during normal operation. Users must follow the specific operating instructions for satisfying RF exposure compliance.



### **Déclaration de conformité ISED non-interférence**

Le présent appareil est conforme aux CNR d'Industrie Canada applicables aux appareils radio exempts de licence. L'exploitation est autorisée aux deux conditions suivantes : (1) l'appareil ne doit pas produire de brouillage, et (2) l'utilisateur de l'appareil doit accepter tout brouillage radioélectrique subi, même si le brouillage est susceptible d'en compromettre le fonctionnement."

Cet équipement est conforme avec ISED RSS-102 des limites d'exposition aux rayonnements définies pour un environnement non contrôlé. Cet émetteur doit être installé à au moins 20 cm de toute personne et ne doit pas être colocalisé ou fonctionner en association avec une autre antenne ou émetteur.

### **Déclaration de conformité FCC**

Cet équipement a été testé et déclaré conforme aux limites d'un appareil numérique de classe B, conformément à la partie 15 du Règlement de la FCC. Ces limites sont conçues pour fournir une protection raisonnable contre les interférences nuisibles dans une installation résidentielle. Cet équipement génère, utilise et peut émettre de l'énergie par radiofréquence et, s'il n'est pas installé et utilisé conformément aux instructions, peut causer des interférences nuisibles aux communications radio. Toutefois, rien ne garantit qu'il n'y aura pas d'interférence dans une installation particulière. Si cet équipement cause des interférences nuisibles à la réception de la radio ou de la télévision, qui peuvent être déterminées en mettant l'équipement hors tension et sous tension, l'utilisateur est encouragé à tenter de corriger les interférences en appliquant une ou plusieurs des mesures suivantes :

- Réorienter ou déplacer l'antenne de réception.
- Augmenter l'espacement entre l'équipement et le récepteur.
- Brancher l'équipement dans une prise sur un circuit différent de celui auquel le récepteur est connecté.
- Consulter le concessionnaire ou un technicien de radio/télévision d'expérience pour obtenir de l'aide.

Les changements ou modifications qui ne sont pas expressément approuvés par la partie responsable de la conformité pourraient annuler l'autorisation d'utiliser l'équipement.

Le présent dispositif est conforme à la partie 15 du Règlement de la FCC. Son fonctionnement est soumis aux deux conditions suivantes : (1) Ce dispositif ne doit pas causer d'interférences nuisibles, et (2) ce dispositif doit accepter toute interférence reçue, y compris les interférences susceptibles de provoquer un fonctionnement indésirable.

### **Déclaration d'exposition aux radiofréquences**

Cet équipement est conforme aux limites d'exposition au rayonnement de la FCC définies pour un environnement non contrôlé. Ce transmetteur ne doit pas se trouver au même endroit ou fonctionner conjointement avec une autre antenne ou un autre émetteur. Pour éviter de dépasser les limites d'exposition aux radiofréquences de la FCC, cet équipement doit être installé et utilisé à une distance minimale de 20 cm entre l'antenne et votre corps pendant le fonctionnement normal. Les utilisateurs doivent suivre les instructions d'utilisation applicables pour satisfaire aux normes d'exposition aux radiofréquences.



Door  
Hardware



Electronic  
Access & Data



Mechanical  
Key Systems



Lodging  
Systems



Entrance  
Systems



Safe  
Locks



Service



**dormakaba USA Inc.**

6161 E. 75th Street  
Indianapolis, IN 46250

T: 1 888 217 5654

T: +1 514 340 9025 (international)

**dormakaba.us**

Full service from 8:30 am to 7:00 pm

Eastern Time, Emergencies 24/7

Email: [techsupport.lgs.ca@dormakaba.com](mailto:techsupport.lgs.ca@dormakaba.com)

Lodging Support: [dormakabalodgingsupport.com](mailto:dormakabalodgingsupport.com)